

**DS-QAZ1310G1T-E(C)
10 W Network Horn Speaker**

- Adopt high-speed industrial grade dual core chips, built-in NOR Flash+EMMC dual storage, support dual backup of the system to ensure stable and reliable system performance.
- Support secure startup, user login locking mechanism, and password complexity prompts, support security audit log traceability, and improve system network security.
- Support batch unified management of remote platforms through IP networks (local area networks/public networks) and flexible configuration of local WEB single machines, while also support local audio collection and playback, adapting to various scene applications.
- Support alarm input, arming schedule, and audio linkage, support TTS speech synthesis and text broadcasting, with natural and smooth standard male and female dual audio options.
- Support two-way audio by SIP

▪ Specification

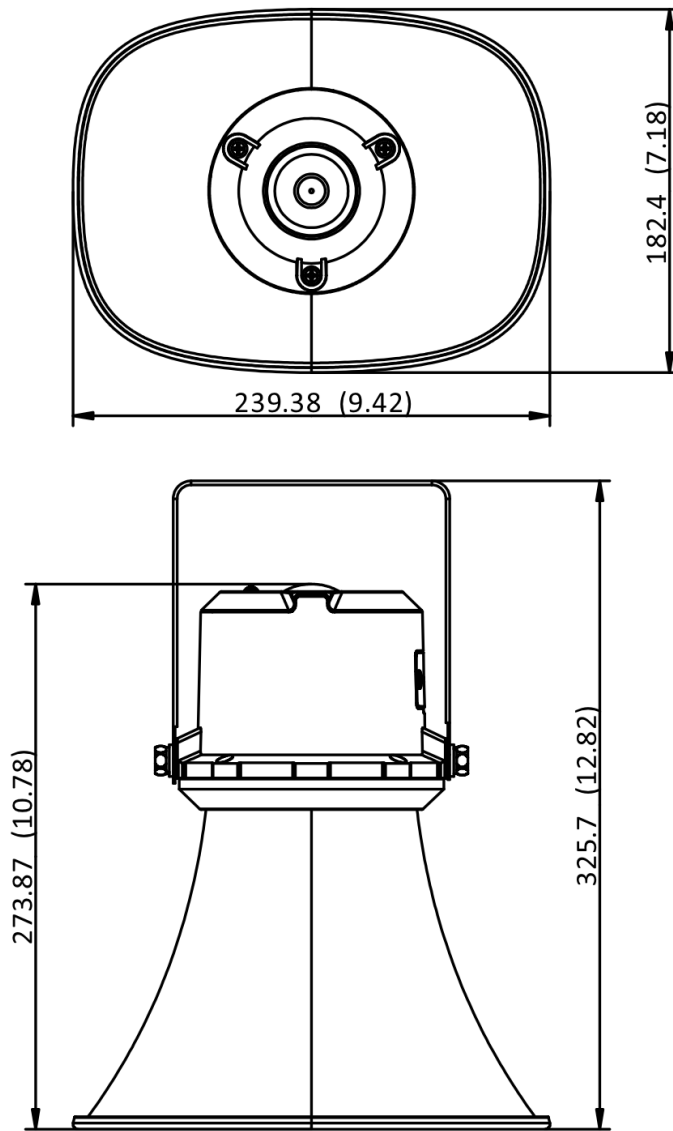
Microphone	
Type	Electret
Amount	2
Frequency Response	100 Hz to 20 kHz
Sensitivity	-42 dBV/Pa
Sampling Rate	48 kHz
Quantization Bits	16-bit
Speaker	
Rated Power	10 W
Impedance	8 Ω
Sensitivity(1 m, 1 W)	110 dB
Max. Acoustic Pressure	121 dB SPL
Direction	70° horizontal by 100° vertical
Frequency Response	300 Hz to 13 kHz
SNR	85 dB
Function	
Audio Algorithm	AEC, AGC, ANS, DRC
Audio Bit Rate	G.711ulaw (64 Kbps)/G.711alaw (64 Kbps)/MP3 (128 Kbps)
Audio File Format	WAV, MP3
NTP Timing	Support
Broadcast	Regular broadcast, live broadcast, emergency broadcast
Two-Way Audio	Support
Speech Synthesis	Language Type: English, Russian, Spanish, Japanese, Thai, Portuguese (Brazil), Korean, French
Network	
Network Protocol	IPv4, HTTP, HTTPS, SIP, SSL/TLS, DNS, NTP, TCP, UDP, IGMP, ICMP, DHCP, ARP, SSH
Interface Protocol (API)	ISAPI, ISUP, SIP, RTP, ONVIF
Client	Hik-Connect, ivms/4200, HikCentral Professional, Hik-Partner Pro, NVR, MileStone
Communication	
Communication Method	Support wired network communication
Interface	
Alarm	Alarm input ×1
Ethernet Interface	RJ45 10 M/100 M Adaptive Ethernet port × 2
Audio	Line in × 1
Power Output	12 VDC, 25 mA, 0.3 W, PoE: max. 5 W
Local Storage	Built-in 64 GB EMMC (Audio file storage is 55 GB.)
API	ISAPI, ISUP, SIP, ONVIF
Reset	Support
General	
Material	Metal
Operating Temperature	-30 °C to 60 °C (-22 °F to 140 °F)
Operating Humidity	< 90% (No condensation)
Dimension	182.4 mm × 273.87 mm × 239.38 mm (7.18" × 10.78" × 9.42")

Power	12 VDC, 1500 mA, 18 W, PoE: IEEE 802.3at, Class 4
Package Dimension	310 mm × 245 mm × 350 mm (12.2" × 9.6" × 13.8")
Weight	Approx. 2.1 kg (4.63 lb.)
Color	White
With Package Weight	Approx. 3.0 kg (6.61 lb.)
Packing List	Device × 1 Threading cap × 1 Regulatory Compliance and Safety Information × 1
Language	41 languages: English, French, Spanish, German, Italian, Japanese, Thai, Russian, Portuguese (Brazil), Arabic, Bulgarian, Czech, Danish, Greek, Spanish (Mexico), Estonian, Persian, Finnish, Hebrew, Croatian, Hungarian, Indonesian, Kazakh, Korean, Kirgiz, Lao, Lithuanian, Latvian, Dutch, Norwegian, Polish, Portuguese, Romanian, Slovak, Slovenian, Serbian, Swedish, Turkish, Ukrainian, Uzbek, Vietnamese
Approval	
Protection	IP67, IK10
EMC	CE-EMC: EN 55032:2015+A11:2020+A1:2020, EN IEC 61000-3-2:2019, EN 61000-3-3:2013+A1:2019+A2:2021, EN 55035:2017+A11:2020 RCM: AS/NZS CISPR 32: 2015 IC: ICES-003: Issue 7
Safety	CB: IEC 62368-1:2014 CE-LVD: EN 62368-1:2014/A11:2017
Environment	CE-RoHS: 2011/65/EU WEEE: 2012/19/EU Reach: Regulation (EC) No 1907/2006

▪ **Available Model**

DS-QAZ1310G1T-E(C)

▪ **Dimension**



Unit: mm(inch)

See Far, Go Further



www.hikvision.com
support@hikvision.com

