

# 门禁读卡器

## 使用说明书

V1.0.1

1.2.51.32.12039-001

## 前言

### 概述

本文档详细描述了门禁读卡器的设备外观、安装方法、接线说明和系统架构等。

### 符号约定

在本文中可能出现下列标志，它们所代表的含义如下：

符号	说明
	危险 表示有高度潜在危险，如果不能避免，会导致人员伤亡或严重伤害。
	警告 表示有中度或低度潜在危险，如果不能避免，可能导致人员轻微或中等伤害。
	注意 表示有潜在风险，如果忽视这些文本，可能导致设备损坏、数据丢失、设备性能降低或不可预知的结果。
	防静电 表示静电敏感的设备。
	电击防护 表示高压危险。
	激光辐射 表示强激光辐射。
	窍门 表示能帮助您解决某个问题或节省您的时间。
	说明 表示是正文的附加信息，是对正文的强调和补充。

## 重要安全须知

下面是关于产品的正确使用方法及预防危险、防止财产受到损失等内容，使用时请务必遵守。在使用此产品前，请认真阅读此手册并妥善保存以备日后参考。

### 警告

- 请务必按照要求使用电池，否则可能导致电池起火、爆炸或燃烧的危险！
- 更换电池时只能使用同样类型的电池！
- 产品必须使用本地区推荐使用的电线组件（电源线），并在其额定规格内使用。
- 请使用满足SELV（安全超低电压）要求的电源，并按照IEC60950-1符合 Limited Power Source（受限制电源）的额定电压供电，具体供电要求以设备标签为准。
- 请将同类结构的产品连接到带保护接地连接的电网电源输出插座上。
- 如果使用电源插头或器具耦合器等作为断开装置，请保持断开装置可以方便的操作。

### 注意

- 请在设备布控后及时修改用户的默认密码，以免被人盗用。
- 请不要将设备放置和安装在阳光直射的地方或发热设备附近。
- 请不要将设备安装在潮湿、有灰尘或煤烟的场所。
- 请保持设备的水平安装，或安装在稳定的场所，注意防止本产品坠落。
- 请勿将液体滴到或溅到设备上，并确保设备上不能放置装满液体的物品，防止液体流入设备。
- 请安装在通风良好的场所，切勿堵塞设备的通风口。
- 仅可在额定输入输出范围内使用设备。
- 请不要随意拆卸设备。
- 请在允许的湿度和温度范围内运输、使用和存储设备。

## 特别声明

- 产品请以实物为准，说明书仅供参考。
- 说明书和程序将根据产品实时更新，如有升级不再另行通知。
- 如不按照说明书中的指导进行操作，因此造成的任何损失由使用方自己承担。
- 说明书可能包含技术上不准确的地方、或与产品功能及操作不相符的地方、或印刷错误，以公司最终解释为准。

## 1 概述

读卡器作为读卡设备，实现了对视频监控、可视对讲产品的补充和完善。产品外观简洁时尚、功能强大，适合高端商业大厦、集团大厦、集团物业和智能社区。

读卡器具有丰富的功能，功能如下：

- 非接触式读卡器（只读），读卡距离在3cm~5cm，刷卡响应时间<0.3s。
- 支持韦根协议和RS485协议，RS485波特率为9600bps。
- 支持看门狗功能。
- 所有连接端口均具备过流和过压保护。
- 工作温度：-30℃~+60℃。工作湿度：≤95%。
- 支持蜂鸣器和指示灯提示功能。
- 支持在线升级。
- 先进的密钥管理系统，降低数据被窃或智能卡被复制风险。

## 2 设备结构

门禁读卡器的结构尺寸图如图2-1、图2-2所示，尺寸单位为mm。

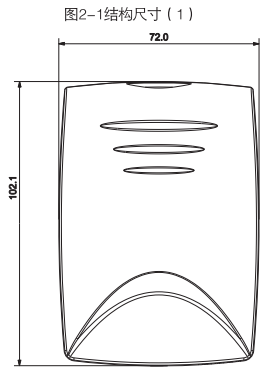


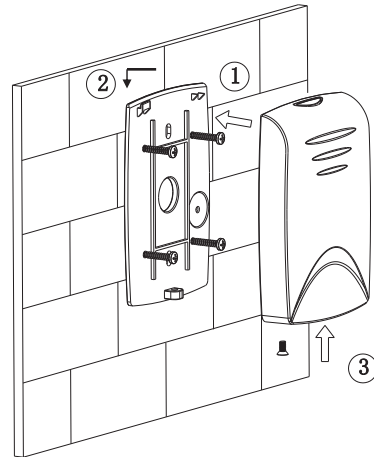
图2-2 结构尺寸 (2)



## 3 设备安装

门禁读卡器的安装示意图如图3-1所示。

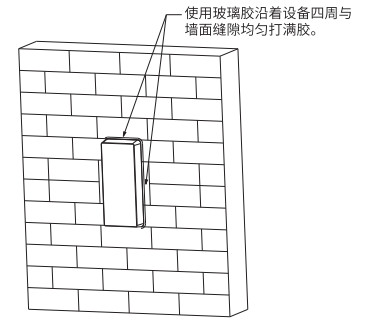
图3-1 安装示意图



安装步骤如下：

- 步骤1 将后盖用自攻螺钉固定在墙体上。
- 步骤2 将前盖挂在后盖上部的挂钩上。
- 步骤3 使用机牙螺钉穿过底部的孔，将前盖嵌合在后盖上。
- 步骤4 设备紧贴墙面安装后，沿着设备四周与墙面间缝隙均匀打胶。推荐使用玻璃胶。

图3-2 点玻璃胶



## 4 系统架构

### 4.1 接线说明

8芯线的接线说明如表4-1所示。

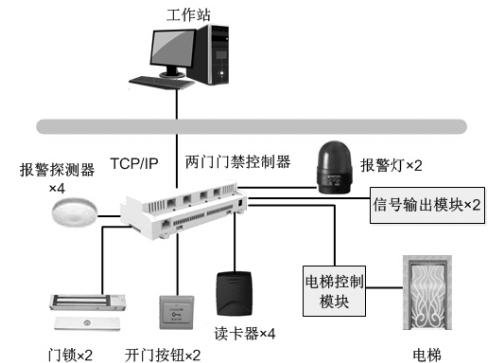
表4-1 8芯通讯接线说明

序号	颜色	接口	说明	协议
1	红	12V	DC 12V电源	-
2	黑	GND	GND	-
3	蓝	ALARM_OUT	韦根防拆报警输出	韦根协议
4	白	D1	韦根信号线1	
5	绿	D0	韦根信号线0	
6	棕	LED/BELL_CTRL	韦根刷卡指示信号线	
7	黄	RS485-	-	RS485协议
8	紫	RS485+	-	

### 4.2 系统架构图

门禁读卡器与门禁控制器、门禁一体机之间的系统连接图如图4-1所示。

图4-1 系统架构图



# Reader

## User's Manual

V1.0.1

1.2.51.32.12039-001

### Special Announcement

- This manual is for reference only, subjected to the actual product.
- All the designs, software and instructions here are subject to change without prior written notice.
- All damaged and losses caused by operation not following instructions in this manual, are borne by the user.
- All trademarks and registered trademarks are the properties of their respective owners.
- If there is any uncertainty or controversy, please refer to the final explanation of us.
- Please visit our website for more information.

## 1 Overview

Reader, achieving video surveillance, is a complement to video monitoring, visual talk products. It has simple appearance, powerful function, and is suitable for advanced commercial building, company property and smart community.

Reader has abundant functions, including:

- Non-contact reader (read-only), within distance of 3cm~5cm, response time <0.3 s.
- Support Wiegand Protocol and RS485 protocol. RS485 baud rate is 9600bps.
- Support watch dog.
- All connection ports have over load protection.
- Work temperature: -30°C ~ +60°C. Work humidity: ≤95%.
- Buzzer and indicator prompt.
- Online upgrade.
- Advanced key management system, lowering risk of data theft or intelligent card duplicate.

## 2 Device Structure

The device's structure and dimension are shown in Figure 2- 1 and Figure 2- 2. Unit is mm.

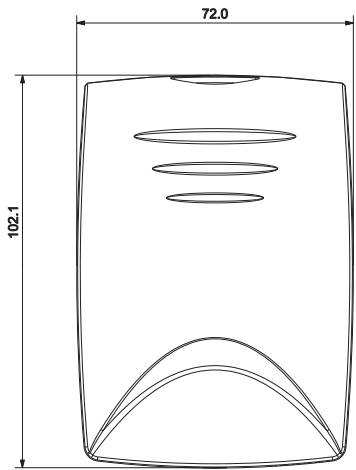


Figure 2- 1

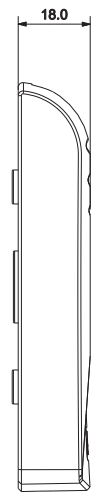


Figure 2- 2

## 3 Device Installation

Card Reader 's installation illustration is in Figure 3- 1.

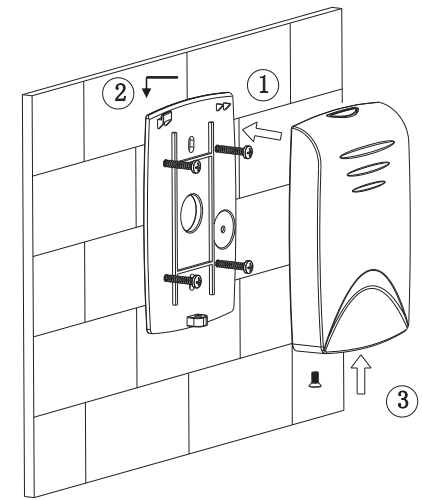


Figure 3- 1

- Step 1 Fix rear cover's self-tapping screw on wall.
- Step 2 Hang front cover on hook on rear cover.
- Step 3 Pull recessed screw through hole at bottom, and lock front cover on rear cover.
- Step 4 Apply silica gel to gaps between the device and the wall. Liquid sodium silicate is recommended.

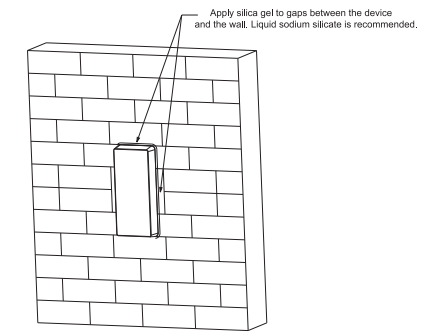


Figure 3- 2

## 4 System Structure

### 4.1 Wiring

Wiring of the device includes two groups of wires, as 8-pin and 3-pin. 8-pin wires shall refer to Chart 4- 1.

No.	Color	Port	Note	Protocol
1	Red	12V	DC 12V	--
2	Black	GND	GND	--
3	Blue	ALARM_OUT	Wiegand Protocol vandal proof alarm output	Wiegand Protocol
4	White	D1	Wiegand signal 1	
5	Green	D0	Wiegand signal 0	
6	Brown	LED/BELL_CTRL	Wiegand swipe card signal	
7	Yellow	RS485-	--	RS485 protocol
8	Purple	RS485+	--	

Chart 4- 1

### 4.2 System Organization

Access control card reader and controller, integration device form a system as in Figure 4- 1.

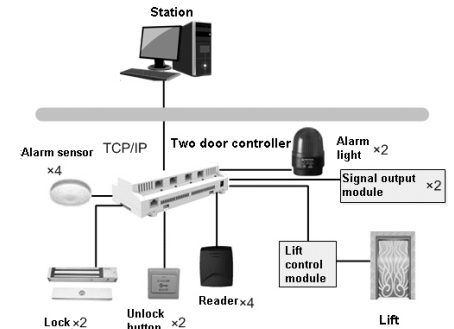


Figure 4- 1

#### Note:

- This manual is for reference only. Slight difference may be found in user interface.
- All the designs and software here are subject to change without prior written notice.
- All trademarks and registered trademarks are the properties of their respective owners.
- If there is any uncertainty or controversy, please refer to the final explanation of us.
- Please visit our website or contact your local service engineer for more information.

### Important Safeguards

Please read the following safeguards and warnings carefully before using the product in order to avoid damages losses and body injuries. After reading, please well keep this user's manual.

#### Note:

- Please change user default password after being armed.
- Do not install the device at position exposed to sunlight or in high temperature. Temperature rise in device may cause fire.
- Do not expose the device to lampblack, steam or dust. Otherwise it may cause fire or electric shock.
- The device must be installed on solid and flat surface in order to guarantee safety under load and earthquake. Otherwise, it may cause device to fall off or turnover.
- Do not drop or splash liquids onto the device, and do not place container with full liquid on the device to prevent liquid spilling from entering the device.
- Do not block air vent of the device or ventilation around the device. Otherwise, temperature in device will rise and may cause fire.
- Use the device only within rated input and output range.
- Do not disassemble the device without professional instruction.
- Please transport, use and store the product under appropriate temperature and humidity.

#### Warning:

- Please use battery properly to avoid fire, explosion and other dangers.
- Please replace used battery with battery of the same type.
- Do not use power line other than the one specified. Please use it properly within rated range. Otherwise, it may cause fire or electric shock.
- Please use power supply matching SELV requirements, and IEC60950-1 Limited Power Source. Power supply shall follow requirements on device label.
- For I-type structure product, connect it to power supply plug with GND protection.
- If you use power plug or appliance coupler as disconnecting device, please maintain the disconnecting device available to be operated all the time.